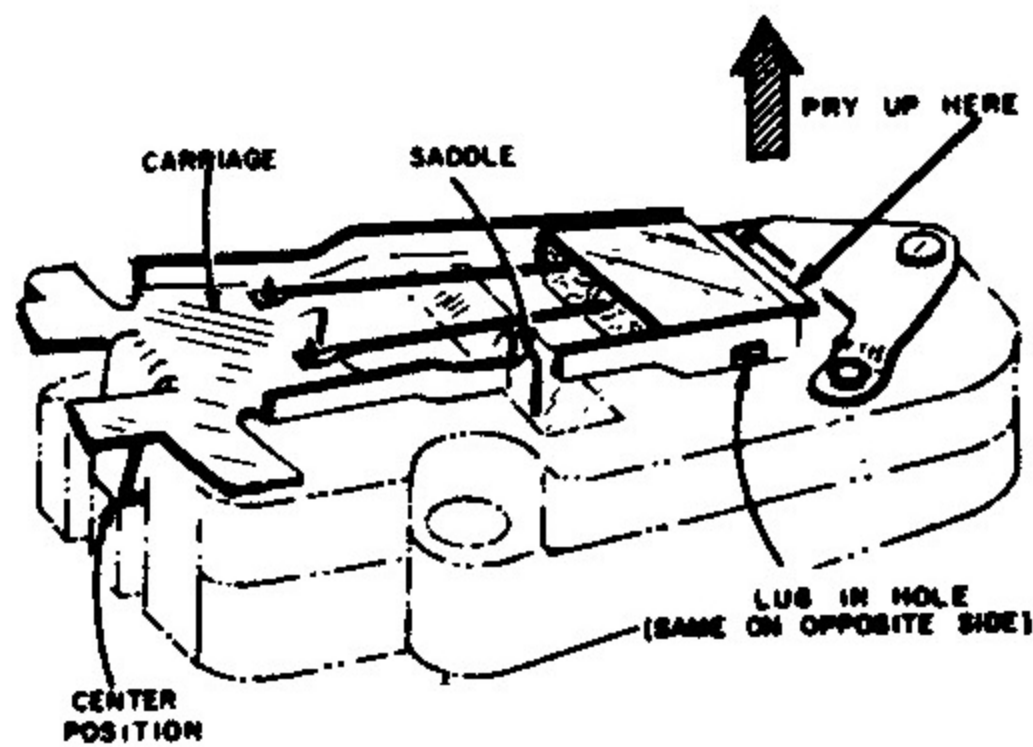
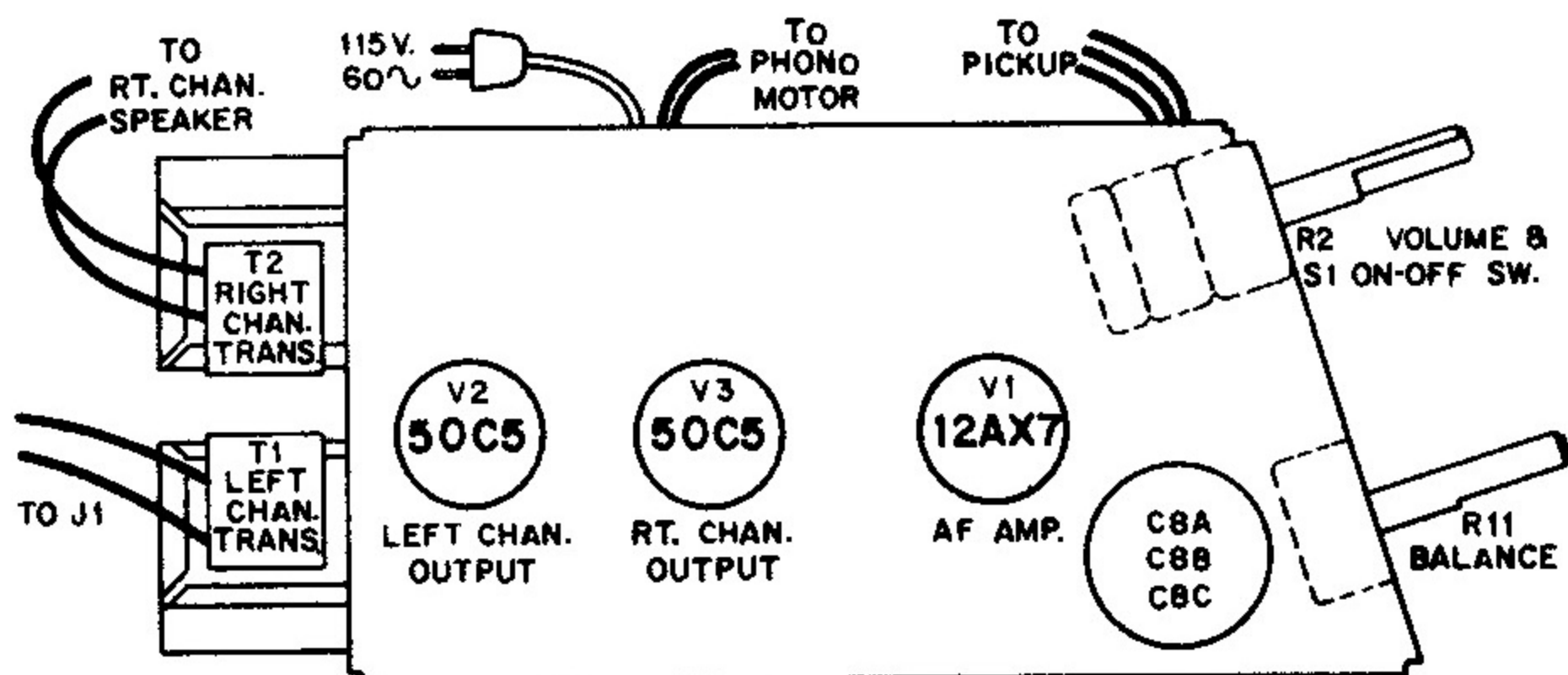
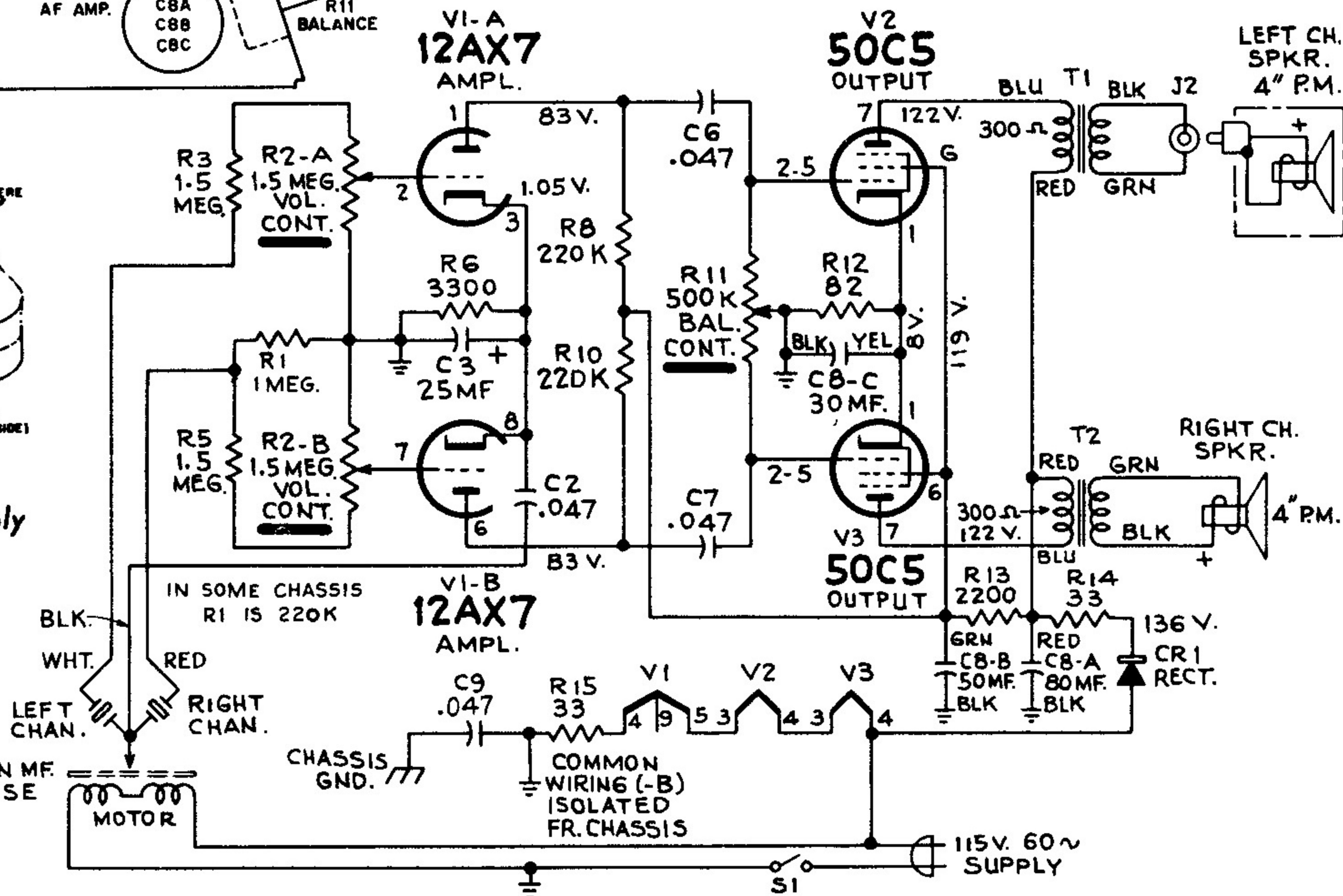


RCA Victor Model SES-2LE Chassis RS-185



Removal of Stylus Assembly



CAPACITANCE VALUES LESS THAN 1 IN MF. 1 AND ABOVE IN MMF. UNLESS OTHERWISE INDICATED.

RESISTANCE VALUES IN OHMS.
K = 1000